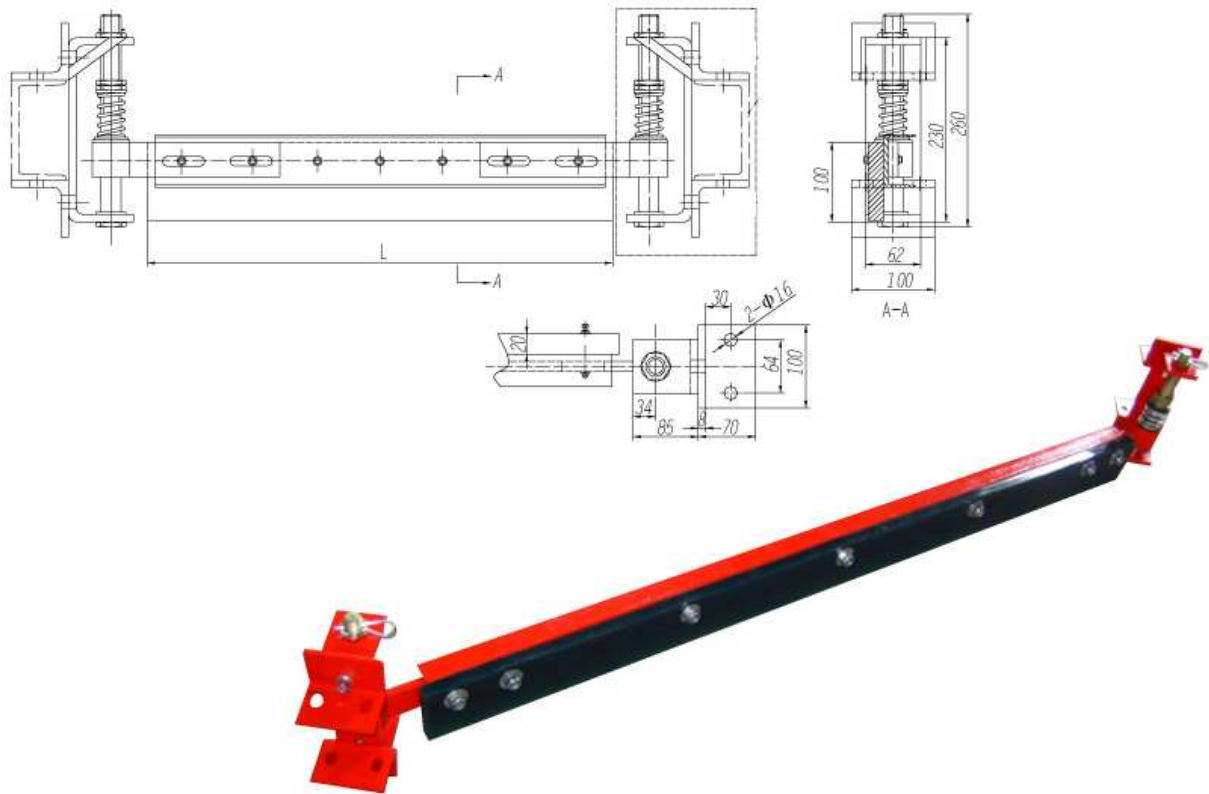

Two -Direction Cleaner HTC02—XXXX(I1X)

>> Product Schematic Drawing



>> Product Specification

TYPE	BELT WIDTH (mm)	L(mm)
HTC02-0800(I1X)	800	1212
HTC02-1000(I1X)	1000	1494
HTC02-1200(I1X)	1200	1804
HTC02-1400(I1X)	1400	2086
HTC02-1600(I1X)	1600	2368
HTC02-1800(I1X)	1800	2678
HTC02-2000(I1X)	2000	2960