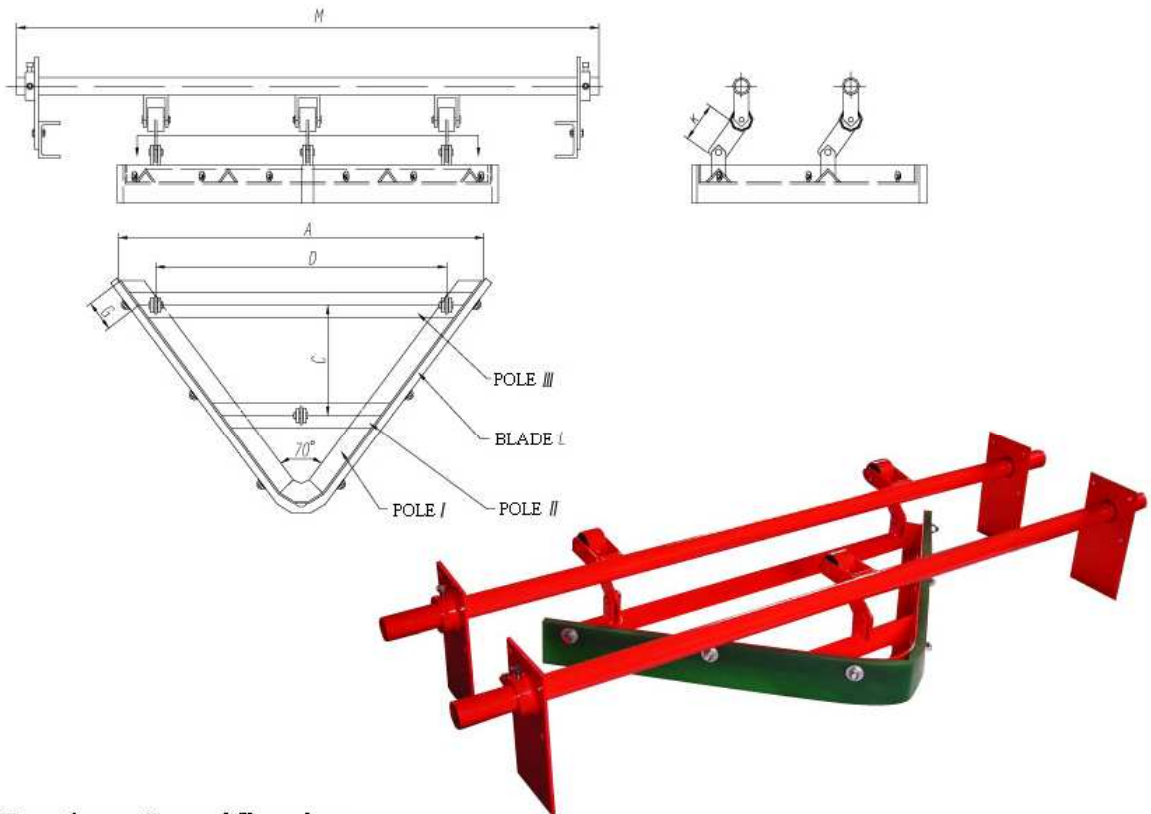


V-PLOW Cleaner HTC01 XXXX(XXX)

>> Product Schematic Drawing



>> Product Specification

TYPE	BELT (mm)	A (mm)	C (mm)	D (mm)	G (mm)	K (mm)	L (mm)	M (mm)	POLE I (mm)	POLE II (mm)	POLE III (mm)
HTC01-0650(* * X)	650	700	250	540	70	120	1160	1200	1120	256	606
HTC01-0800(* * X)	800	860	350	720	70	140	1520	1400	1462	305	795
HTC01-1000(* * X)	1000	1050	450	860	70	170	1860	1600	1800	330	965
HTC01-1200(* * X)	1200	1260	550	1000	70	210	2190	1800	2130	380	1165
HTC01-1400(* * X)	1400	1490	650	1100	90	250	2550	2050	2490	464	1372
HTC01-1600(* * X)	1600	1690	750	1200	90	290	2890	2250	2830	524	1574
HTC01-1800(* * X)	1800	1900	850	1300	110	330	3244	2500	3184	582	1760
HTC01-2000(* * X)	2000	2100	950	1400	110	370	3596	2750	3536	620	1960