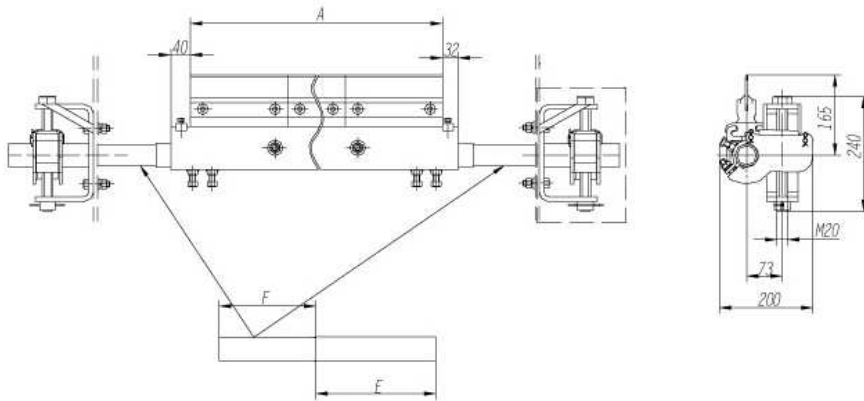


## ● HSCXX-XXXX(E2X)

>> Product Schematic Drawing



>> Product Specification

TYPE	BELT WIDTH B (mm)	BLADE WIDTH A (mm)	BLADE QTY	SUBFRAME (mm)	
				E(50×50×5)	F(8×6)
HSCXX-0500(E2X)	500	400	2	200	180
HSCXX-0650(E2X)	650	600	3	300	260
HSCXX-0800(E2X)	800	800	4	390	340
HSCXX-1000(E2X)	1000	1000	5	390	340
HSCXX-1200(E2X)	1200	1200	6	390	340
HSCXX-1400(E2X)	1400	1400	7	390	340
HSCXX-1600(E2X)	1600	1600	8	390	340
HSCXX-1800(E2X)	1800	1800	9	390	340
HSCXX-2000(E2X)	2000	2000	10	390	340
HSCXX-2200(E2X)	2200	2200	11	390	340

Remarks: 1. "XX" in HSCXX represents the product type, "01" stainless steel blade, "02" Tungsten carbide blade and "04" abrasion-resistant steel blade