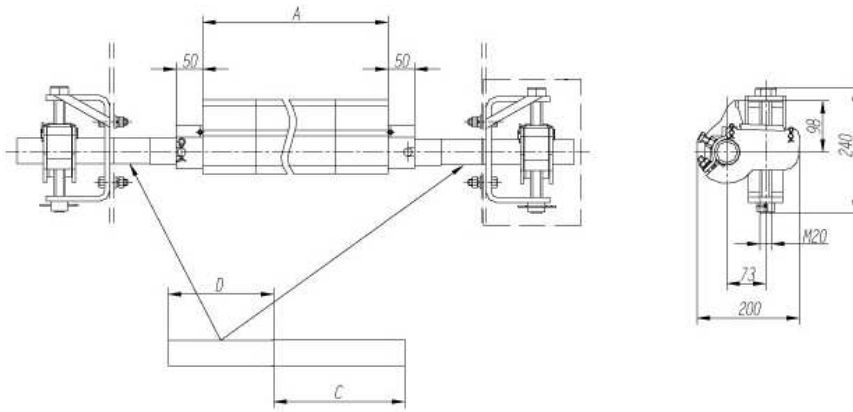


● HSC50-XXXX(E2X)

>> Product Schematic Drawing



>> Product Specification

TYPE	BELT WIDTH B (mm)	BLADE WIDTH A (mm)	BLADE QTY	SUBFRAME (mm)	
				C(50 x 50 x 5)	D(∅48 x 6)
HSC50-0500(E2X)	500	500	5	200	180
HSC50-0650(E2X)	650	600	6	300	260
HSC50-0800(E2X)	800	800	8	390	340
HSC50-1000(E2X)	1000	1000	10	390	340
HSC50-1200(E2X)	1200	1200	12	390	340
HSC50-1400(E2X)	1400	1400	14	390	340
HSC50-1600(E2X)	1600	1600	16	390	340
HSC50-1800(E2X)	1800	1800	18	390	340
HSC50-2000(E2X)	2000	2000	20	390	340
HSC50-2200(E2X)	2200	2200	22	390	340