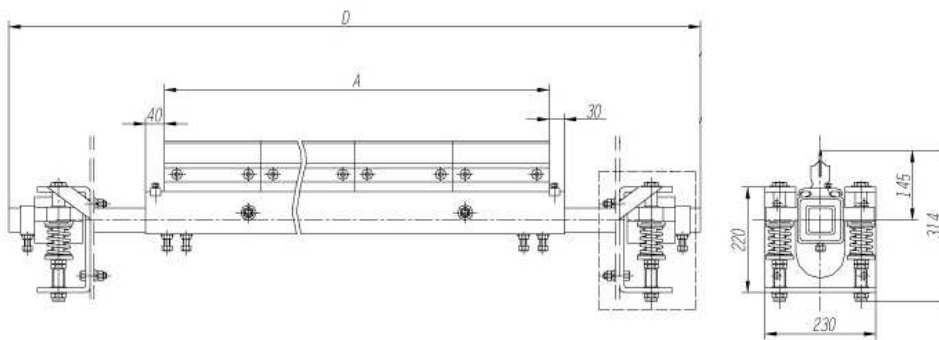


## Reversible Cleaner HRCXX-XXXX(Y2X)

### >>Product Schematic Drawing



### >> Product Specification

TYPE	BELT WIDTH B (mm)	BLADE WIDTH A (mm)	BLADE QTY	SUBFRAME (50×50×5) D(mm)
HRCXX-0500(Y2X)	500	400	2	1200
HRCXX-0650(Y2X)	650	600	3	1400
HRCXX-0800(Y2X)	800	800	4	1600
HRCXX-1000(Y2X)	1000	1000	5	1800
HRCXX-1200(Y2X)	1200	1200	6	2000
HRCXX-1400(Y2X)	1400	1400	7	2300
HRCXX-1600(Y2X)	1600	1600	8	2500
HRCXX-1800(Y2X)	1800	1800	9	2700
HRCXX-2000(Y2X)	2000	2000	10	2900
HRCXX-2200(Y2X)	2200	2200	11	3100