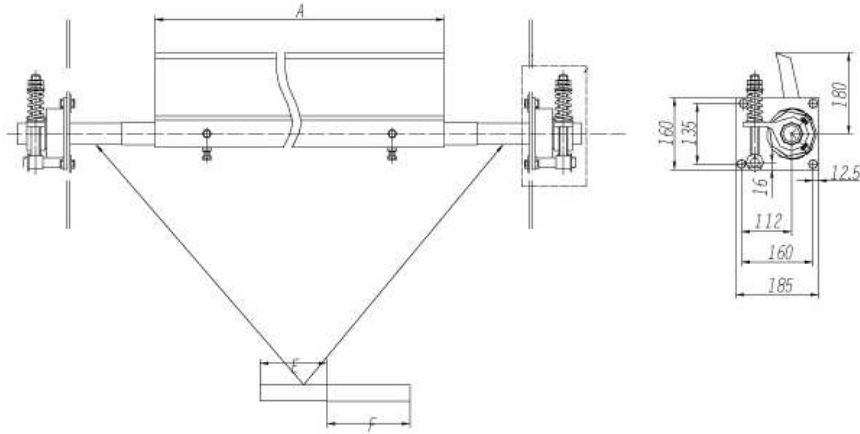


● HPC90-XXXX(M1X)

>> Product Schematic Drawing



>> Product Specification

TYPE	BELT WIDTH B (mm)	BLADE WIDTH A (mm)	SUBFRAME (mm)	
			E	F
HPC90-0500(M1X)	500	500	180	200
HPC90-0650(M1X)	650	650	260	300
HPC90-0800(M1X)	800	800	340	390
HPC90-1000(M1X)	1000	1000	340	390
HPC90-1200(M1X)	1200	1200	340	390
HPC90-1400(M1X)	1400	1400	340	390
HPC90-1600(M1X)	1600	1600	340	390
HPC90-1800(M1X)	1800	1800	340	390
HPC90-2000(M1X)	2000	2000	340	390
HPC90-2200(M1X)	2200	2200	340	390