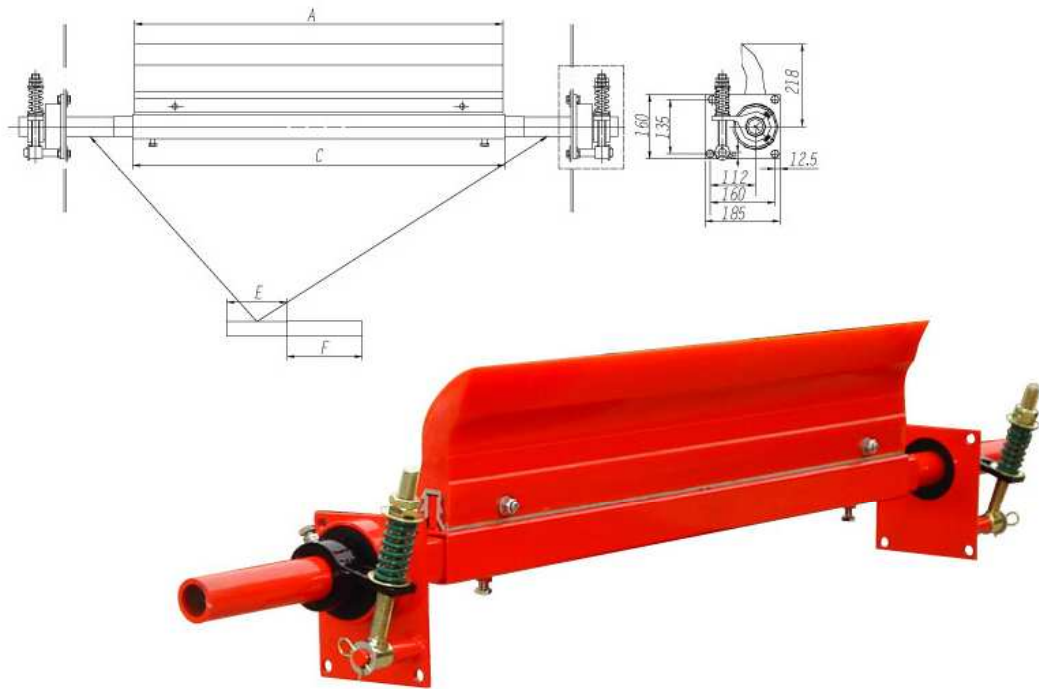


HPC02-XXXX(M1X)

>> Product Schematic Drawing



>> Product Specification

TYPE	BELT WIDTH B (mm)	BLADE WIDTH A (mm)	MAIN FRAME C 60 x 60 x 6(mm)	SUBFRAME E Φ48 x 6(mm)	SUBFRAME F 50 x 50 x 6(mm)
HPC02-0500(M1X)	500	490	520	180	200
HPC02-0650(M1X)	650	640	670	260	300
HPC02-0800(M1X)	800	790	810	340	390
HPC02-1000(M1X)	1000	990	1010	340	390
HPC02-1200(M1X)	1200	1190	1210	340	390
HPC02-1400(M1X)	1400	1390	1410	340	390
HPC02-1600(M1X)	1600	1590	1610	340	390
HPC02-1800(M1X)	2800	1790	1810	340	390
HPC02-2000(M1X)	2000	1990	2010	340	390
HPC02-2200(M1X)	2200	2190	2210	340	390