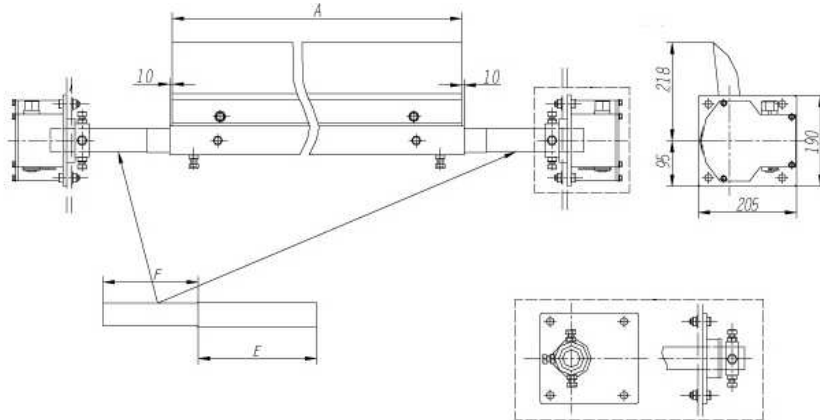


HPC02-XXXX(02X)

>> Product Schematic Drawing



>> Product Specification

TYPE	BELT WIDTH B (mm)	BLADE WIDTH A (mm)	SUBFRAME (mm)	
			E(50x50x5)	F(φ48x6)
HPC02-0500(02X)	500	490	180	200
HPC02-0650(02X)	650	640	260	300
HPC02-0800(02X)	800	790	390	340
HPC02-1000(02X)	1000	990	390	340
HPC02-1200(02X)	1200	1190	390	340
HPC02-1400(02X)	1400	1390	390	340
HPC02-1600(02X)	1600	1590	390	340
HPC02-1800(02X)	1800	1790	390	340
HPC02-2000(02X)	2000	1990	390	340
HPC02-2200(02X)	2200	2190	390	340