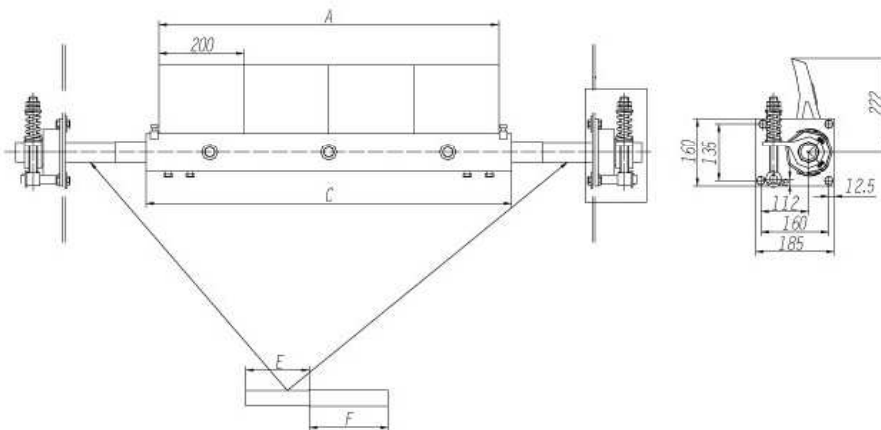


## HPC01-XXXX(M1X)

>> Product Schematic Drawing



>> Product Specification

TYPE	BELT WIDTH B (mm)	BLADE WIDTH A (mm)	BLADE QTY	MAIN FRAME C 60 x 60 x 6(mm)	SUBFRAME E Φ48 x 6(mm)	SUBFRAME F 50 x 50 x 6(mm)
HPC01-0650(M1X)	650	600	3	670	260	300
HPC01-0800(M1X)	800	800	4	870	340	390
HPC01-1000(M1X)	1000	1000	5	1070	340	390
HPC01-1200(M1X)	1200	1200	6	1270	340	390
HPC01-1400(M1X)	1400	1400	7	1470	340	390
HPC01-1600(M1X)	1600	1600	8	1670	340	390
HPC01-1800(M1X)	1800	1800	9	1870	340	390
HPC01-2000(M1X)	2000	2000	10	2070	340	390
HPC01-2200(M1X)	2200	2200	11	2270	340	390