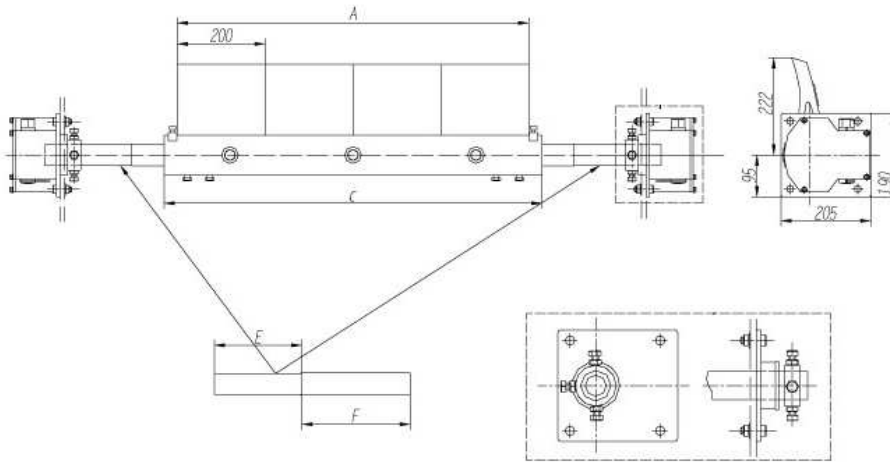


## HPC01-XXXX(02X)

### >> Product Schematic Drawing



### >> Product Specification

TYPE	BELT WIDTH	BLADE WIDTH	BLADE QTY	MAIN FRAME	SUBFRAME	SUBFRAME
	B (mm)	A (mm)		C 60×60×6(mm)	E Φ48×b(mm)	F 50×50×6(mm)
HPC01-0650(02X)	650	600	3	670	260	300
HPC01-0800(02X)	800	800	4	870	340	390
HPC01-1000(02X)	1000	1000	5	1070	340	390
HPC01-1200(02X)	1200	1200	6	1270	340	390
HPC01-1400(02X)	1400	1400	7	1470	340	390
HPC01-1600(02X)	1600	1600	8	1670	340	390
HPC01-1800(02X)	1800	1800	9	1870	340	390
HPC01-2000(02X)	2000	2000	10	2070	340	390
HPC01-2200(02X)	2200	2200	11	2270	340	390